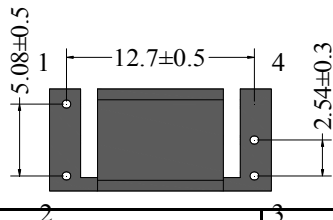
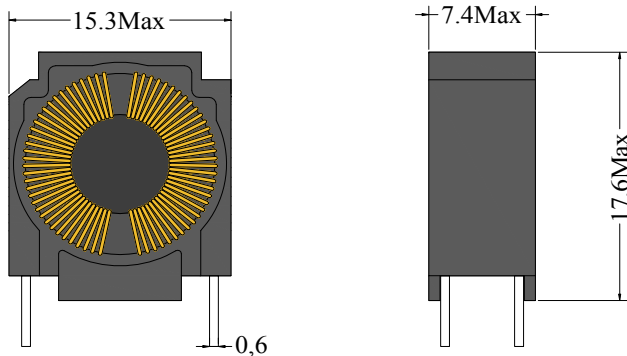




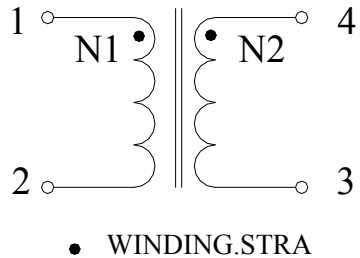
PZ-DMC1225V Series

Common Mode Power Line Choke
 Web:<http://www.dgpinzhan.com>
 E-mail:sales@dgpinzhan.com

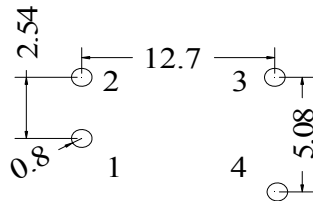
1. Dimensions: [mm]



2. Schematic:



3. PCB Layout Ref(mm)



4. General Properties:

It is recommended that the temperature of the component does not exceed +125°C under worst case conditions.

Storage Temperature:	-20 °C up to +60 °C
Operating Temperature:	-40 °C up to +85 °C

Temperature Rise < 55K.

Test conditions of Electrical Properties: +40°C, 33% RH if not specified differently.

5. Electrical Properties:

Part Code	Inductance: (mH) +50%/-30%	Test conditions	DC-R mΩ Max	Rated Current: mA	TDK Cord
PZ-DMC1225V-472N	4.7	10KHZ/0.1V	0.90	250	B82791H2901N020
PZ-DMC1225V-472N	4.7	10KHZ/0.1V	0.70	440	B82791H2701N001
PZ-DMC1225V-682N	6.8	10KHZ/0.1V	0.60	630	B82791H2601N001
PZ-DMC1225V-103N	10	10KHZ/0.1V	0.50	1000	B82791H2501N001
PZ-DMC1225V-153N	15	10KHZ/0.1V	0.40	1350	B82791H2401N001
PZ-DMC1225V-223N	22	10KHZ/0.1V	0.35	1900	B82791H2351N001
PZ-DMC1225V-303N	30	10KHZ/0.1V	0.30	2200	B82791H2301N001
PZ-DMC1225V-473N	47	10KHZ/0.1V	0.25	2400	B82791H2251N020

*** Acceptable customers design custom**

Hi-pot:

- 1. Winding-core: 1500VAC/50HZ 3A 2S.
- 1. Winding-Winding: 2500VAC/50HZ 3A 2S.

Created

Checked

Type

Date

Version

Page

Tom

Justin

DIP

2022/3/22

A001

1